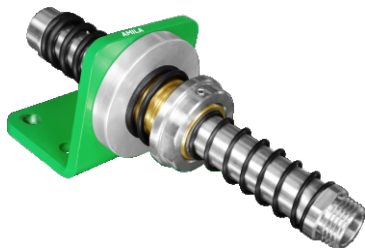


Suspension Flexible

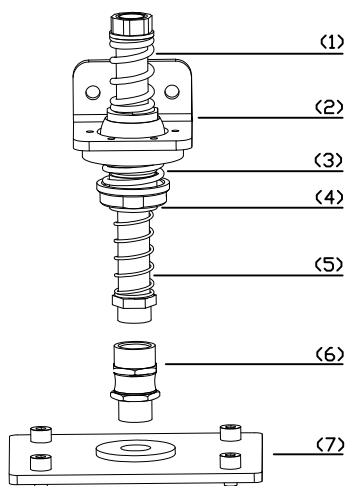
Suspension Flexible MTE-FLEX

Stroke: 25 to 75mm

Suspension Flexible MTE-FLEX



System design Suspension Flexible MTE-FLEX



Introduction and application

- ◆ Spherically mounted spring plunger with two damping springs, centering spring and special universal ball joint for handling workpieces with height differences
- ◆ Height difference when handling workpiece
- ◆ Handling very sensitive components without additional control requirements (e.g. glass sheets), it ensures that workpieces are set down gently.
- ◆ Handling very warped and naturally grown materials (e.g. dried wood) without additional technical control requirements.
- ◆ Use under harsh conditions
- ◆ Highly dynamic handling tasks with short cycle times

Design

- ◆ Spring plunger with stainless steel plunger rod, brass guide sleeve with integrated sliding sleeve, both lower (5) and upper (1) damping spring
- ◆ High quality stainless steel protective mounting plate (2) to maintain system balance; With a central reinforcing spring (3) and a spring seat nut (4), the prestress of the center can be adjusted by a lock nut arranged on the spring seat nut module.
- ◆ Jointed mounting (6) available as an option (high quality steel and vulcanized bonded rubber)
- ◆ The powder coating mounting plate (7) is suitable for large-area grippers systems

Ordering Guide Suspension Flexible MTE-FLEX

Type	Buffer stroke[mm]	Connecting thread of suction cup	Sleeve thread	Ordering Data	Type
MTE-FLEX 25 HD1 G1/2-AG G3/8-IG	25	G1/2-AG	G3/8-IG	90.04.01.00037	HD1
MTE-FLEX 50 HD1 G1/2-AG G3/8-IG	50	G1/2-AG	G3/8-IG	90.04.01.00038	HD1
MTE-FLEX 75 HD1 G1/2-AG G3/8-IG	75	G1/2-AG	G3/8-IG	90.04.01.00039	HD1
MTE-FLEX 25 HD2 G1/2-AG G3/8-IG	25	G1/2-AG	G3/8-IG	90.04.01.00040	HD2
MTE-FLEX 50 HD2 G1/2-AG G3/8-IG	50	G1/2-AG	G3/8-IG	90.04.01.00041	HD2
MTE-FLEX 75 HD2 G1/2-AG G3/8-IG	75	G1/2-AG	G3/8-IG	90.04.01.00042	HD2

Note: IG(internal thread) AG(external thread)

Suspension Flexible

Suspension Flexible MTE-FLEX

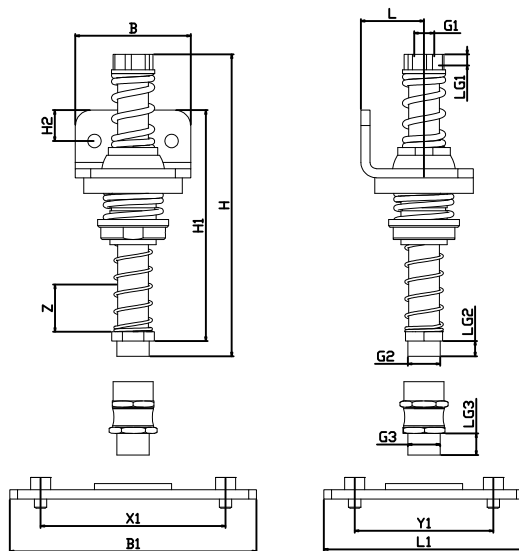
Stroke: 25 to 75mm

Technical Data Suspension Flexible MTE-FLEX

Type	Spring load rate [N/mm]	Spring pretension [N]	Spring force [N]	Vertical load [N]	Weight [g]	Operating temperature [°C]
MTE-FLEX 25 HD1 G1/2-AG G3/8-IG	3.828	25.60	73.50	3000	1450	0...80
MTE-FLEX 50 HD1 G1/2-AG G3/8-IG	1.810	5.40	50.70	3000	1500	0...80
MTE-FLEX 75 HD1 G1/2-AG G3/8-IG	1.072	36.90	77.10	3000	1550	0...80
MTE-FLEX 25 HD2 G1/2-AG G3/8-IG	3.828	51.30	147.00	6000	2700	0...80
MTE-FLEX 50 HD2 G1/2-AG G3/8-IG	1.810	10.90	101.40	6000	2800	0...80
MTE-FLEX 75 HD2 G1/2-AG G3/8-IG	1.072	73.90	154.30	6000	2900	0...80

Design Data Suspension Flexible MTE-FLEX

MTE-FLEX 25 to 75



Type	Dimensions[mm]											Z (Stroke)
	B	G1	G2	G3	H	H1	H2	L	LG2	LG3		
MTE-FLEX 25 HD1 G1/2-AG G3/8-IG	75	G3/8"-F	G1/2"-M	G1/2"-M	167.6	129	20	41	11	14	25	
MTE-FLEX 50 HD1 G1/2-AG G3/8-IG	75	G3/8"-F	G1/2"-M	G1/2"-M	199.8	161	20	41	11	14	50	
MTE-FLEX 75 HD1 G1/2-AG G3/8-IG	75	G3/8"-F	G1/2"-M	G1/2"-M	238.6	200	20	41	11	14	75	
MTE-FLEX 25 HD2 G1/2-AG G3/8-IG	152	G3/8"-F	G1/2"-M	G1/2"-M	167.6	129	20	41	11	14	25	
MTE-FLEX 50 HD2 G1/2-AG G3/8-IG	152	G3/8"-F	G1/2"-M	G1/2"-M	199.8	161	20	41	11	14	50	
MTE-FLEX 75 HD2 G1/2-AG G3/8-IG	152	G3/8"-F	G1/2"-M	G1/2"-M	238.6	200	20	41	11	14	75	

Type	Dimensions[mm]				
	L1	B1	X1	Y1	
FLAN-PL 120X85X10 ST SBX	85	120	90	65	
FLAN-PL 160X130X10 ST SBX	130	160	120	90	
FLAN-PL 400X90X10 ST SBX	90	400	280	65	